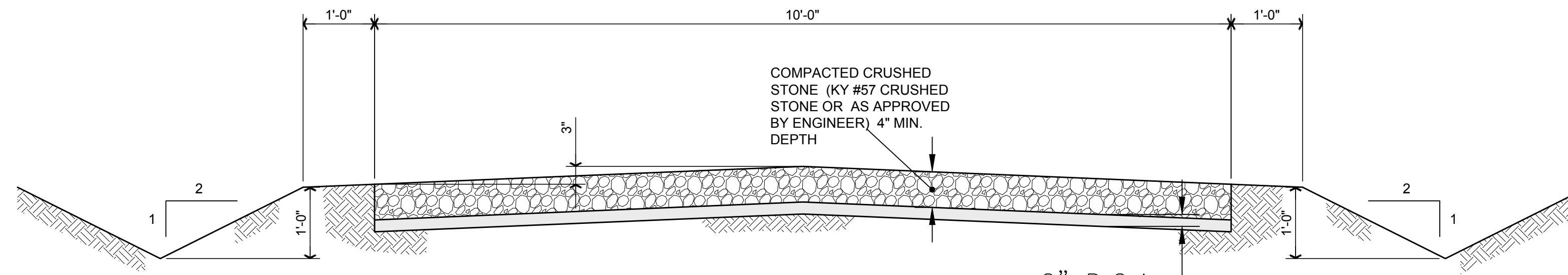
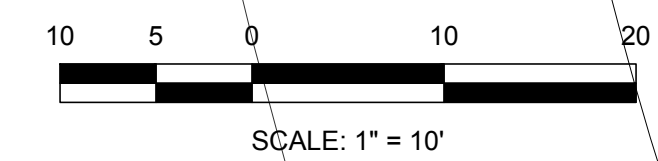
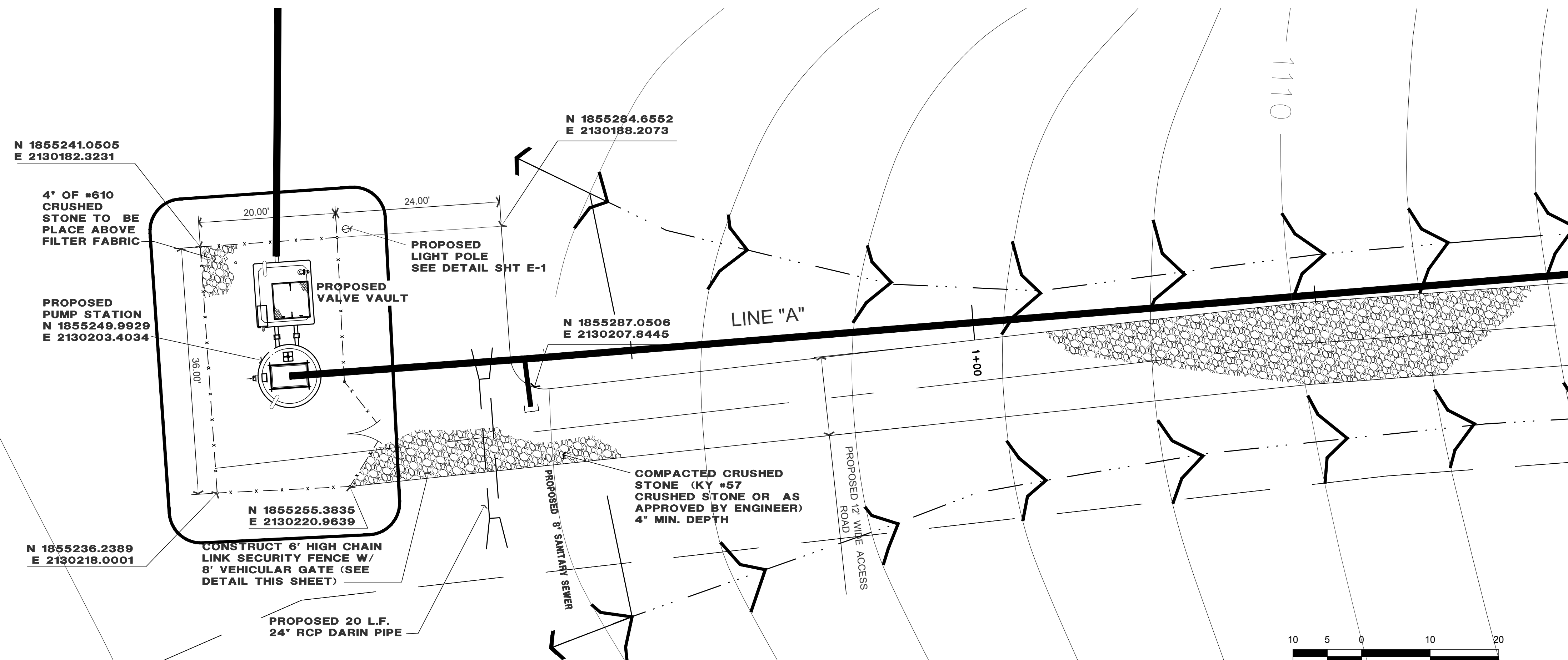


NOTE: FOR GATE SIZES SEE SITE PLAN.

CHAIN LINK SECURITY FENCE & GATE DETAILS



TYPICAL SECTION - ACCESS ROAD & RIP RAP DITCH  
N.T.S



PLAN -PUMP STATION SITE

WATER, SEWER AND ACCESS ROAD EXTENSIONS  
GRACE CLINIC PROJECT  
SOUTHEAST KENTUCKY  
INDUSTRIAL DEVELOPMENT AUTHORITY  
KNOX COUNTY, KENTUCKY

DATE	REVISION	BY

PROJECT NO. 2062-45	DESIGNED BY D.S.T.
DRAWN BY G.M.S.	CHECKED BY D.S.T.
REVIEWED BY D.S.T.	DATE AUGUST 2016
SCALE AS NOTED	

Engineers  
Architects  
Planners

624 Wellington Way  
High Point, NC 28520  
www.mseinc.com  
Phone: (859)223-5684  
Fax: (859)223-2607

DRAWING NO.  
**PS2**  
SHEET OF